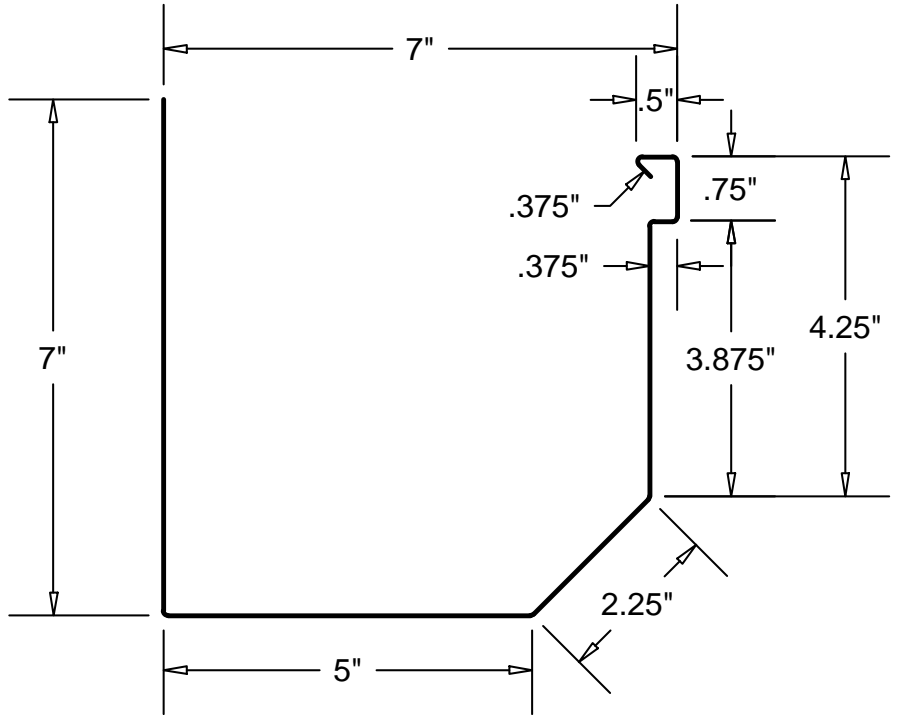
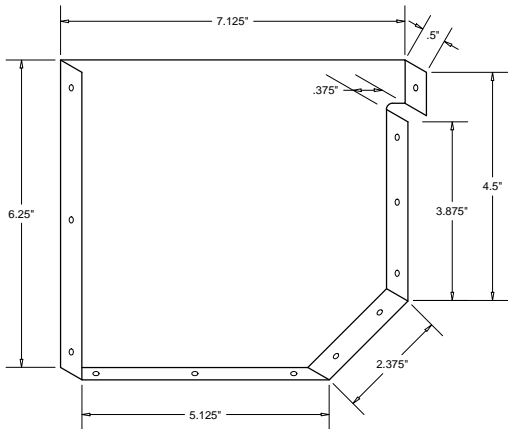
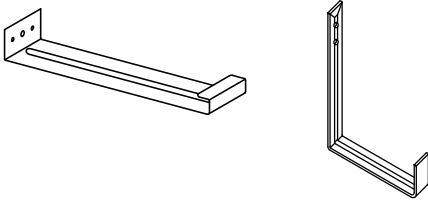


7-D STYLE GUTTER + ACCESSORIES

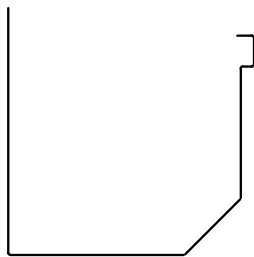
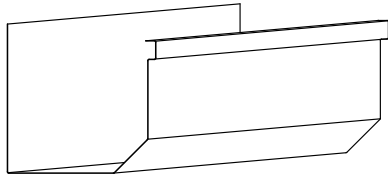
END CAPS



GUTTER SUPPORT BRACKETS



SPLICE PLATES



MATERIAL:

24GA STEEL
26GA STEEL

.032 ALUMINUM

COLOR:

QUANTITIES:

- _____ LINEAL FEET @ 10'-0" LENGTHS ②
- _____ LINEAL FEET @ 20'-0" LENGTHS ①②
- _____ OUTSIDE MITERS @ 90°
- _____ INSIDE MITERS @ 90°
- _____ ENDCAPS: RIGHT _____ LEFT _____
- _____ SPLICE PLATES
- _____ EXPANSION JOINTS
- _____ HIDDEN HANGERS
- _____ GUTTER SUPPORT BRACKETS

NOTES:

- ① Subject to minimum requirements
- ② Custom lengths available

PRINT APPROVED BY:

(SIGNATURE) (DATE)

A SIGNED PRINT APPROVAL SIGNIFIES A CUSTOMER HAS VERIFIED ALL DIMENSIONS, SIZES, QUANTITIES, AND MATERIAL TYPES.

FABRICATION WILL PROCEED ONLY AFTER RECEIPT OF SIGNED PRINT APPROVAL



<https://store.gulfcoastsupply.com/> Telephone: 352-498-0778